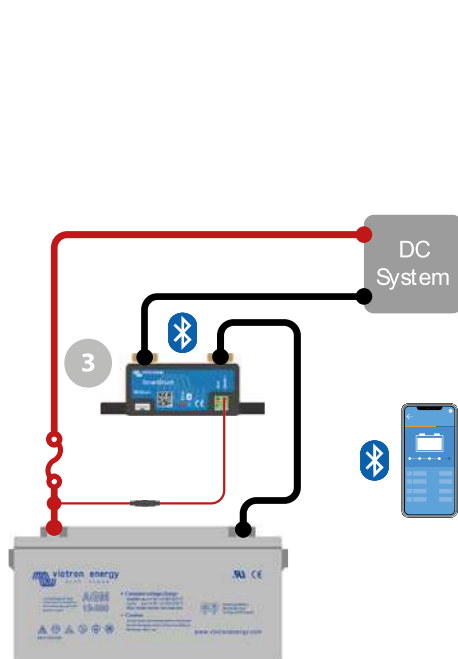
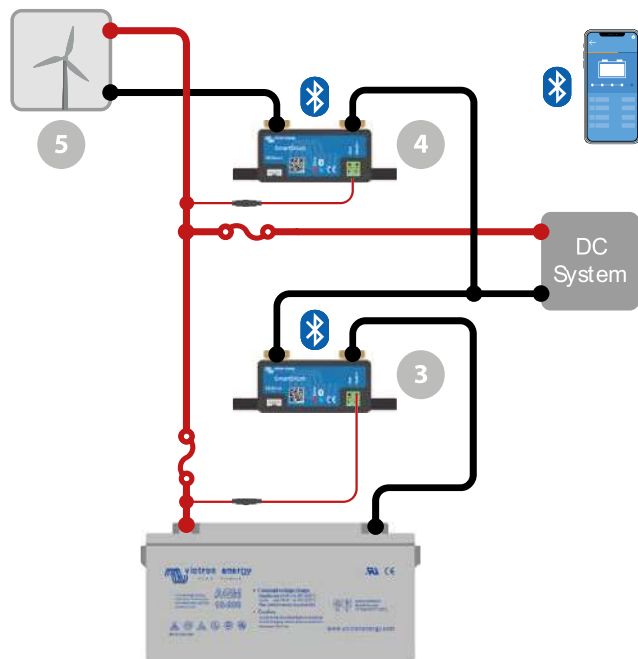







System with a BMV-712 Smart battery monitor. The battery bank is monitored and the auxiliary connection is used to monitor the battery bank midpoint.



System with a SmartShunt battery monitor.



System with a SmartShunt battery monitor and a SmartShunt used as a DC meter.

ID	Items and notes
①	BMV-712 Smart <a href="#">battery monitor</a> , available in various models, with and without auxiliary connection and/or Bluetooth.
②	Shunt for the BMV battery monitor, the shunt is included with the battery monitor.
③	<a href="#">SmartShunt</a> battery monitor, available in 500A, 100A or 2000A model.
④	<a href="#">SmartShunt</a> battery monitor configured as a DC meter, to measure the current from a DC charge source or DC load.
⑤	DC charge source, in this case a DC wind generator is used.
	<a href="#">RJ12 UTP cable</a> (10m), included with the BMV battery monitor. Also available in lengths ranging from 30cm to 30m.
	12, 24 or 48V <a href="#">battery</a> or battery bank consisting of multiple batteries in series, parallel or series/parallel.
	Small DC fuse, included with the product.
	<a href="#">DC fuse</a> .
	Positive (red) and negative (black) DC cables. For the correct cable sizing see the <a href="#">Wiring Unlimited book</a> .